

2000 Chevrolet Suburban C1500

2000 SYSTEM WIRING DIAGRAMS Chevrolet - Suburban

2000 SYSTEM WIRING DIAGRAMS

Chevrolet - Suburban

AIR CONDITIONING

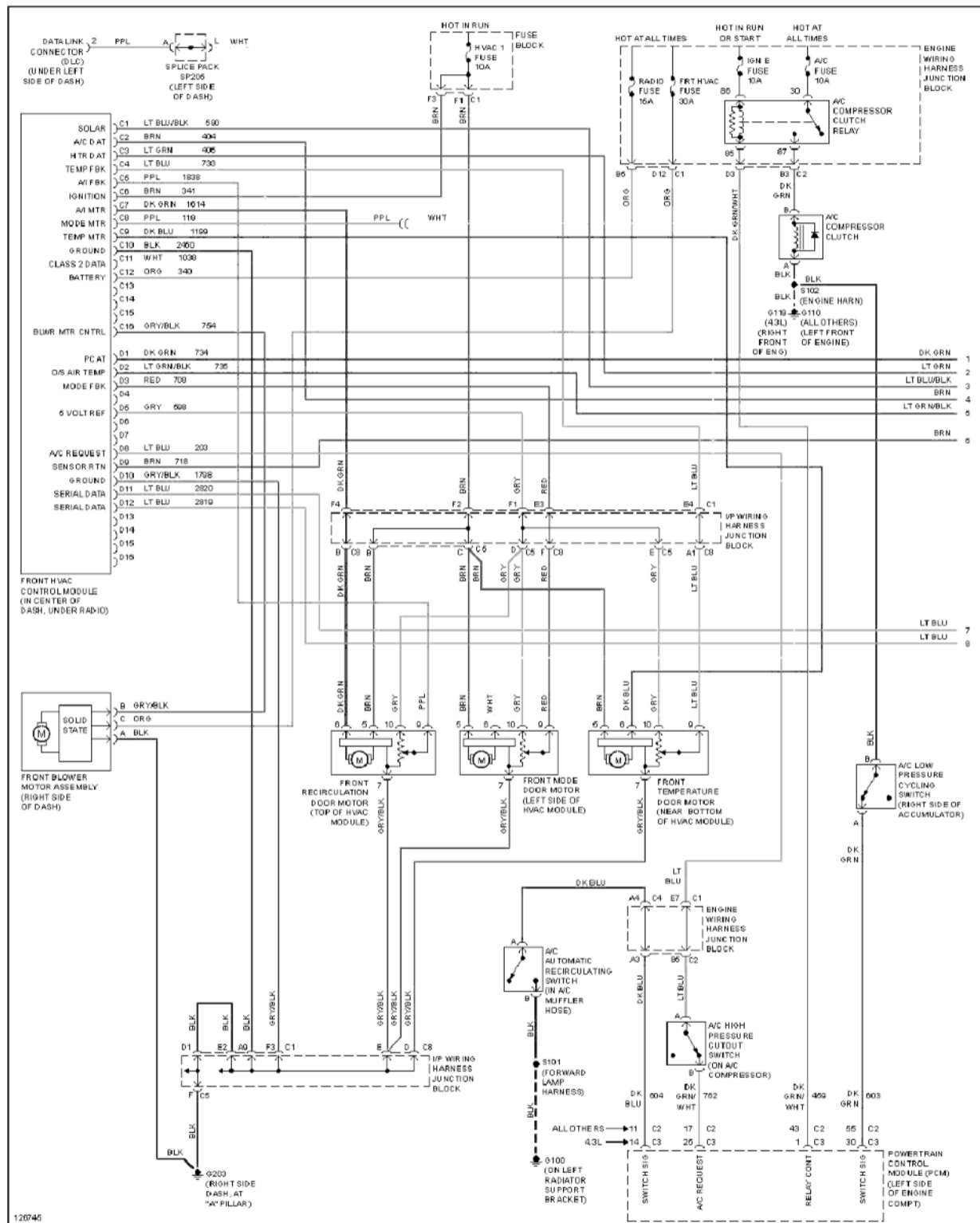


Fig. 1: Automatic A/C Circuit (1 of 2)

2000 Chevrolet Suburban C1500

2000 SYSTEM WIRING DIAGRAMS Chevrolet - Suburban

Fig. 2: Automatic A/C Circuit (2 of 2)

2000 Chevrolet Suburban C1500

2000 SYSTEM WIRING DIAGRAMS Chevrolet - Suburban

Fig. 3: Compressor Circuit

2000 Chevrolet Suburban C1500

2000 SYSTEM WIRING DIAGRAMS Chevrolet - Suburban

Fig. 4: Manual A/C Circuit, Front

2000 Chevrolet Suburban C1500

2000 SYSTEM WIRING DIAGRAMS Chevrolet - Suburban

Fig. 5: Manual A/C Circuit, Rear W/ A/C only

2000 Chevrolet Suburban C1500

2000 SYSTEM WIRING DIAGRAMS Chevrolet - Suburban

Fig. 6: Manual A/C Circuit, Rear W/ Heat & A/C

ANTI-LOCK BRAKES

2000 Chevrolet Suburban C1500

2000 SYSTEM WIRING DIAGRAMS Chevrolet - Suburban

Fig. 7: Anti-lock Brake Circuits, W/ Traction Control

2000 Chevrolet Suburban C1500

2000 SYSTEM WIRING DIAGRAMS Chevrolet - Suburban

Fig. 8: Anti-lock Brake Circuits, W/O Traction Control

ANTI-THEFT

2000 Chevrolet Suburban C1500

2000 SYSTEM WIRING DIAGRAMS Chevrolet - Suburban

Fig. 9: Forced Entry Circuit

2000 Chevrolet Suburban C1500

2000 SYSTEM WIRING DIAGRAMS Chevrolet - Suburban

Fig. 10: Passlock Circuit

BODY COMPUTER

2000 Chevrolet Suburban C1500

2000 SYSTEM WIRING DIAGRAMS Chevrolet - Suburban

Fig. 11: Body Computer Circuits

COMPUTER DATA LINES

2000 Chevrolet Suburban C1500

2000 SYSTEM WIRING DIAGRAMS Chevrolet - Suburban

Fig. 12: Computer Data Lines

CRUISE CONTROL

2000 Chevrolet Suburban C1500

2000 SYSTEM WIRING DIAGRAMS Chevrolet - Suburban

Fig. 13: Cruise Control Circuit

DEFOGGERS

2000 Chevrolet Suburban C1500

2000 SYSTEM WIRING DIAGRAMS Chevrolet - Suburban

Fig. 14: Defogger Circuit

2000 Chevrolet Suburban C1500

2000 SYSTEM WIRING DIAGRAMS Chevrolet - Suburban

Fig. 15: Heated Mirrors Circuit

ELECTRONIC POWER STEERING

2000 Chevrolet Suburban C1500

2000 SYSTEM WIRING DIAGRAMS Chevrolet - Suburban

Fig. 16: Electronic Power Steering Circuit, W/ RTD

2000 Chevrolet Suburban C1500

2000 SYSTEM WIRING DIAGRAMS Chevrolet - Suburban

Fig. 17: Electronic Power Steering Circuit, W/O RTD

ELECTRONIC SUSPENSION

2000 Chevrolet Suburban C1500

2000 SYSTEM WIRING DIAGRAMS Chevrolet - Suburban

Fig. 18: Electronic Suspension Circuit

ENGINE PERFORMANCE

5.3L

2000 Chevrolet Suburban C1500

2000 SYSTEM WIRING DIAGRAMS Chevrolet - Suburban

Fig. 19: 5.3L VIN T, Engine Controls Circuit, Except Canadian Built (1 of 5)

2000 Chevrolet Suburban C1500

2000 SYSTEM WIRING DIAGRAMS Chevrolet - Suburban

Fig. 20: 5.3L VIN T, Engine Controls Circuit, Except Canadian Built (2 of 5)

2000 Chevrolet Suburban C1500

2000 SYSTEM WIRING DIAGRAMS Chevrolet - Suburban

Fig. 21: 5.3L VIN T, Engine Controls Circuit, Except Canadian Built (3 of 5)

2000 Chevrolet Suburban C1500

2000 SYSTEM WIRING DIAGRAMS Chevrolet - Suburban

Fig. 22: 5.3L VIN T, Engine Controls Circuit, Except Canadian Built (4 of 5)

2000 Chevrolet Suburban C1500

2000 SYSTEM WIRING DIAGRAMS Chevrolet - Suburban

Fig. 23: 5.3L VIN T, Engine Controls Circuit, Except Canadian Built (5 of 5)

2000 Chevrolet Suburban C1500

2000 SYSTEM WIRING DIAGRAMS Chevrolet - Suburban

Fig. 24: 5.3L VIN T, Engine Performance Circuits, Canadian Built (1 of 5)

2000 Chevrolet Suburban C1500

2000 SYSTEM WIRING DIAGRAMS Chevrolet - Suburban

Fig. 25: 5.3L VIN T, Engine Performance Circuits, Canadian Built (2 of 5)

2000 Chevrolet Suburban C1500

2000 SYSTEM WIRING DIAGRAMS Chevrolet - Suburban

Fig. 26: 5.3L VIN T, Engine Performance Circuits, Canadian Built (3 of 5)

2000 Chevrolet Suburban C1500

2000 SYSTEM WIRING DIAGRAMS Chevrolet - Suburban

Fig. 27: 5.3L VIN T, Engine Performance Circuits, Canadian Built (4 of 5)

2000 Chevrolet Suburban C1500

2000 SYSTEM WIRING DIAGRAMS Chevrolet - Suburban

Fig. 28: 5.3L VIN T, Engine Performance Circuits, Canadian Built (5 of 5)

6.0L

2000 Chevrolet Suburban C1500

2000 SYSTEM WIRING DIAGRAMS Chevrolet - Suburban

Fig. 29: 6.0L VIN U, Engine Performance Circuits (1 of 5)

2000 Chevrolet Suburban C1500

2000 SYSTEM WIRING DIAGRAMS Chevrolet - Suburban

Fig. 30: 6.0L VIN U, Engine Performance Circuits (2 of 5)

2000 Chevrolet Suburban C1500

2000 SYSTEM WIRING DIAGRAMS Chevrolet - Suburban

Fig. 31: 6.0L VIN U, Engine Performance Circuits (3 of 5)

2000 Chevrolet Suburban C1500

2000 SYSTEM WIRING DIAGRAMS Chevrolet - Suburban

Fig. 32: 6.0L VIN U, Engine Performance Circuits (4 of 5)

2000 Chevrolet Suburban C1500

2000 SYSTEM WIRING DIAGRAMS Chevrolet - Suburban

Fig. 33: 6.0L VIN U, Engine Performance Circuits (5 of 5)

EXTERIOR LIGHTS

2000 Chevrolet Suburban C1500

2000 SYSTEM WIRING DIAGRAMS Chevrolet - Suburban

Fig. 34: Backup Lamps Circuit

2000 Chevrolet Suburban C1500

2000 SYSTEM WIRING DIAGRAMS Chevrolet - Suburban

Fig. 35: Exterior Lamps Circuit

2000 Chevrolet Suburban C1500

2000 SYSTEM WIRING DIAGRAMS Chevrolet - Suburban

Fig. 36: Trailer/Camper Adapter Circuit

GROUND DISTRIBUTION

2000 Chevrolet Suburban C1500

2000 SYSTEM WIRING DIAGRAMS Chevrolet - Suburban

Fig. 37: Ground Distribution Circuit (1 of 4)

2000 Chevrolet Suburban C1500

2000 SYSTEM WIRING DIAGRAMS Chevrolet - Suburban

Fig. 38: Ground Distribution Circuit (2 of 4)

2000 Chevrolet Suburban C1500

2000 SYSTEM WIRING DIAGRAMS Chevrolet - Suburban

Fig. 39: Ground Distribution Circuit (3 of 4)

2000 Chevrolet Suburban C1500

2000 SYSTEM WIRING DIAGRAMS Chevrolet - Suburban

Fig. 40: Ground Distribution Circuit (4 of 4)

HEADLIGHTS

2000 Chevrolet Suburban C1500

2000 SYSTEM WIRING DIAGRAMS Chevrolet - Suburban

Fig. 41: Headlight Circuit

HORN

2000 Chevrolet Suburban C1500

2000 SYSTEM WIRING DIAGRAMS Chevrolet - Suburban

Fig. 42: Horn Circuit

INSTRUMENT CLUSTER

2000 Chevrolet Suburban C1500

2000 SYSTEM WIRING DIAGRAMS Chevrolet - Suburban

Fig. 43: Instrument Cluster Circuit

INTERIOR LIGHTS

2000 Chevrolet Suburban C1500

2000 SYSTEM WIRING DIAGRAMS Chevrolet - Suburban

Fig. 44: Courtesy Lamps Circuit, Base

2000 Chevrolet Suburban C1500

2000 SYSTEM WIRING DIAGRAMS Chevrolet - Suburban

Fig. 45: Courtesy Lamps Circuit, Up Level (1 of 2)

2000 Chevrolet Suburban C1500

2000 SYSTEM WIRING DIAGRAMS Chevrolet - Suburban

Fig. 46: Courtesy Lamps Circuit, Up Level (2 of 2)

2000 Chevrolet Suburban C1500

2000 SYSTEM WIRING DIAGRAMS Chevrolet - Suburban

Fig. 47: Instrument Illumination Circuit, Base

2000 Chevrolet Suburban C1500

2000 SYSTEM WIRING DIAGRAMS Chevrolet - Suburban

Fig. 48: Instrument Illumination Circuit, Up Level (1 of 2)

2000 Chevrolet Suburban C1500

2000 SYSTEM WIRING DIAGRAMS Chevrolet - Suburban

Fig. 49: Instrument Illumination Circuit, Up Level (2 of 2)

MEMORY SYSTEMS

2000 Chevrolet Suburban C1500

2000 SYSTEM WIRING DIAGRAMS Chevrolet - Suburban

Fig. 50: Driver's Memory Seat Circuit

POWER DISTRIBUTION

2000 Chevrolet Suburban C1500

2000 SYSTEM WIRING DIAGRAMS Chevrolet - Suburban

Fig. 51: Power Distribution Circuit (1 of 4)

2000 Chevrolet Suburban C1500

2000 SYSTEM WIRING DIAGRAMS Chevrolet - Suburban

Fig. 52: Power Distribution Circuit (2 of 4)

2000 Chevrolet Suburban C1500

2000 SYSTEM WIRING DIAGRAMS Chevrolet - Suburban

Fig. 53: Power Distribution Circuit (3 of 4)

2000 Chevrolet Suburban C1500

2000 SYSTEM WIRING DIAGRAMS Chevrolet - Suburban

Fig. 54: Power Distribution Circuit (4 of 4)

POWER DOOR LOCKS

2000 Chevrolet Suburban C1500

2000 SYSTEM WIRING DIAGRAMS Chevrolet - Suburban

Fig. 55: Power Door Lock Circuit, Base

2000 Chevrolet Suburban C1500

2000 SYSTEM WIRING DIAGRAMS Chevrolet - Suburban

Fig. 56: Power Door Lock Circuit, Up Level

POWER MIRRORS

2000 Chevrolet Suburban C1500

2000 SYSTEM WIRING DIAGRAMS Chevrolet - Suburban

Fig. 57: Electrochromic Mirror Circuit

2000 Chevrolet Suburban C1500

2000 SYSTEM WIRING DIAGRAMS Chevrolet - Suburban

Fig. 58: Power Mirror Circuit

POWER SEATS

2000 Chevrolet Suburban C1500

2000 SYSTEM WIRING DIAGRAMS Chevrolet - Suburban

Fig. 59: 6-Way Power Seat Circuit

2000 Chevrolet Suburban C1500

2000 SYSTEM WIRING DIAGRAMS Chevrolet - Suburban

Fig. 60: Heated Seats Circuit

2000 Chevrolet Suburban C1500

2000 SYSTEM WIRING DIAGRAMS Chevrolet - Suburban

Fig. 61: Lumbar Circuit

POWER TOP/SUNROOF

2000 Chevrolet Suburban C1500

2000 SYSTEM WIRING DIAGRAMS Chevrolet - Suburban

Fig. 62: Power Top/Sunroof Circuits

POWER WINDOWS

2000 Chevrolet Suburban C1500

2000 SYSTEM WIRING DIAGRAMS Chevrolet - Suburban

Fig. 63: Power Window Circuit

RADIO

2000 Chevrolet Suburban C1500

2000 SYSTEM WIRING DIAGRAMS Chevrolet - Suburban

Fig. 64: Radio Circuits, Base Radio

2000 Chevrolet Suburban C1500

2000 SYSTEM WIRING DIAGRAMS Chevrolet - Suburban

Fig. 65: Radio Circuits, Premium Radio

2000 Chevrolet Suburban C1500

2000 SYSTEM WIRING DIAGRAMS Chevrolet - Suburban

Fig. 66: Radio Circuits, W/ Rear Seat Audio (1 of 2)

2000 Chevrolet Suburban C1500

2000 SYSTEM WIRING DIAGRAMS Chevrolet - Suburban

Fig. 67: Radio Circuits, W/ Rear Seat Audio (2 of 2)

SHIFT INTERLOCKS

2000 Chevrolet Suburban C1500

2000 SYSTEM WIRING DIAGRAMS Chevrolet - Suburban

Fig. 68: Shift Interlock Circuit

STARTING/CHARGING

2000 Chevrolet Suburban C1500

2000 SYSTEM WIRING DIAGRAMS Chevrolet - Suburban

Fig. 69: Charging Circuit

2000 Chevrolet Suburban C1500

2000 SYSTEM WIRING DIAGRAMS Chevrolet - Suburban

Fig. 70: Starting Circuit

SUPPLEMENTAL RESTRAINTS

2000 Chevrolet Suburban C1500

2000 SYSTEM WIRING DIAGRAMS Chevrolet - Suburban

Fig. 71: Supplemental Restraint Circuit

TRANSMISSION

5.3L

2000 Chevrolet Suburban C1500

2000 SYSTEM WIRING DIAGRAMS Chevrolet - Suburban

Fig. 72: 5.3L VIN T, A/T Circuit, 4L60-E

2000 Chevrolet Suburban C1500

2000 SYSTEM WIRING DIAGRAMS Chevrolet - Suburban

Fig. 73: Transfer Case Circuit, Electronic

2000 Chevrolet Suburban C1500

2000 SYSTEM WIRING DIAGRAMS Chevrolet - Suburban

Fig. 74: Transfer Case Circuit, Manual

6.0L

2000 Chevrolet Suburban C1500

2000 SYSTEM WIRING DIAGRAMS Chevrolet - Suburban

Fig. 75: 6.0L VIN U, A/T Circuit, 4L80-E

2000 Chevrolet Suburban C1500

2000 SYSTEM WIRING DIAGRAMS Chevrolet - Suburban

Fig. 76: Transfer Case Circuit, Electronic

2000 Chevrolet Suburban C1500

2000 SYSTEM WIRING DIAGRAMS Chevrolet - Suburban

Fig. 77: Transfer Case Circuit, Manual

WARNING SYSTEMS

2000 Chevrolet Suburban C1500

2000 SYSTEM WIRING DIAGRAMS Chevrolet - Suburban

Fig. 78: Warning System Circuits

WIPER/WASHER

2000 Chevrolet Suburban C1500

2000 SYSTEM WIRING DIAGRAMS Chevrolet - Suburban

Fig. 79: Front Wiper/Washer Circuit

2000 Chevrolet Suburban C1500

2000 SYSTEM WIRING DIAGRAMS Chevrolet - Suburban

Fig. 80: Rear Wiper/Washer Circuit

2000 Chevrolet Suburban C1500

2000 SYSTEM WIRING DIAGRAMS Chevrolet - Suburban

2000 Chevrolet Suburban C1500

2000 SYSTEM WIRING DIAGRAMS Chevrolet - Suburban

2000 Chevrolet Suburban C1500

2000 SYSTEM WIRING DIAGRAMS Chevrolet - Suburban

2000 Chevrolet Suburban C1500

2000 SYSTEM WIRING DIAGRAMS Chevrolet - Suburban

2000 Chevrolet Suburban C1500

2000 SYSTEM WIRING DIAGRAMS Chevrolet - Suburban

2000 Chevrolet Suburban C1500

2000 SYSTEM WIRING DIAGRAMS Chevrolet - Suburban

2000 Chevrolet Suburban C1500

2000 SYSTEM WIRING DIAGRAMS Chevrolet - Suburban

2000 Chevrolet Suburban C1500

2000 SYSTEM WIRING DIAGRAMS Chevrolet - Suburban

2000 Chevrolet Suburban C1500

2000 SYSTEM WIRING DIAGRAMS Chevrolet - Suburban

2000 Chevrolet Suburban C1500

2000 SYSTEM WIRING DIAGRAMS Chevrolet - Suburban

2000 Chevrolet Suburban C1500

2000 SYSTEM WIRING DIAGRAMS Chevrolet - Suburban

2000 Chevrolet Suburban C1500

2000 SYSTEM WIRING DIAGRAMS Chevrolet - Suburban

2000 Chevrolet Suburban C1500

2000 SYSTEM WIRING DIAGRAMS Chevrolet - Suburban

2000 Chevrolet Suburban C1500

2000 SYSTEM WIRING DIAGRAMS Chevrolet - Suburban

2000 Chevrolet Suburban C1500

2000 SYSTEM WIRING DIAGRAMS Chevrolet - Suburban

2000 Chevrolet Suburban C1500

2000 SYSTEM WIRING DIAGRAMS Chevrolet - Suburban

2000 Chevrolet Suburban C1500

2000 SYSTEM WIRING DIAGRAMS Chevrolet - Suburban

2000 Chevrolet Suburban C1500

2000 SYSTEM WIRING DIAGRAMS Chevrolet - Suburban

2000 Chevrolet Suburban C1500

2000 SYSTEM WIRING DIAGRAMS Chevrolet - Suburban

2000 Chevrolet Suburban C1500

2000 SYSTEM WIRING DIAGRAMS Chevrolet - Suburban

2000 Chevrolet Suburban C1500

2000 SYSTEM WIRING DIAGRAMS Chevrolet - Suburban

2000 Chevrolet Suburban C1500

2000 SYSTEM WIRING DIAGRAMS Chevrolet - Suburban

2000 Chevrolet Suburban C1500

2000 SYSTEM WIRING DIAGRAMS Chevrolet - Suburban

2000 Chevrolet Suburban C1500

2000 SYSTEM WIRING DIAGRAMS Chevrolet - Suburban

2000 Chevrolet Suburban C1500

2000 SYSTEM WIRING DIAGRAMS Chevrolet - Suburban

2000 Chevrolet Suburban C1500

2000 SYSTEM WIRING DIAGRAMS Chevrolet - Suburban

2000 Chevrolet Suburban C1500

2000 SYSTEM WIRING DIAGRAMS Chevrolet - Suburban

2000 Chevrolet Suburban C1500

2000 SYSTEM WIRING DIAGRAMS Chevrolet - Suburban

2000 Chevrolet Suburban C1500

2000 SYSTEM WIRING DIAGRAMS Chevrolet - Suburban

2000 Chevrolet Suburban C1500

2000 SYSTEM WIRING DIAGRAMS Chevrolet - Suburban

2000 Chevrolet Suburban C1500

2000 SYSTEM WIRING DIAGRAMS Chevrolet - Suburban

2000 Chevrolet Suburban C1500

2000 SYSTEM WIRING DIAGRAMS Chevrolet - Suburban

2000 Chevrolet Suburban C1500

2000 SYSTEM WIRING DIAGRAMS Chevrolet - Suburban

2000 Chevrolet Suburban C1500

2000 SYSTEM WIRING DIAGRAMS Chevrolet - Suburban

2000 Chevrolet Suburban C1500

2000 SYSTEM WIRING DIAGRAMS Chevrolet - Suburban

2000 Chevrolet Suburban C1500

2000 SYSTEM WIRING DIAGRAMS Chevrolet - Suburban

2000 Chevrolet Suburban C1500

2000 SYSTEM WIRING DIAGRAMS Chevrolet - Suburban

2000 Chevrolet Suburban C1500

2000 SYSTEM WIRING DIAGRAMS Chevrolet - Suburban

2000 Chevrolet Suburban C1500

2000 SYSTEM WIRING DIAGRAMS Chevrolet - Suburban

2000 Chevrolet Suburban C1500

2000 SYSTEM WIRING DIAGRAMS Chevrolet - Suburban

2000 Chevrolet Suburban C1500

2000 SYSTEM WIRING DIAGRAMS Chevrolet - Suburban

2000 Chevrolet Suburban C1500

2000 SYSTEM WIRING DIAGRAMS Chevrolet - Suburban

2000 Chevrolet Suburban C1500

2000 SYSTEM WIRING DIAGRAMS Chevrolet - Suburban

2000 Chevrolet Suburban C1500

2000 SYSTEM WIRING DIAGRAMS Chevrolet - Suburban

2000 Chevrolet Suburban C1500

2000 SYSTEM WIRING DIAGRAMS Chevrolet - Suburban

2000 Chevrolet Suburban C1500

2000 SYSTEM WIRING DIAGRAMS Chevrolet - Suburban

2000 Chevrolet Suburban C1500

2000 SYSTEM WIRING DIAGRAMS Chevrolet - Suburban

2000 Chevrolet Suburban C1500

2000 SYSTEM WIRING DIAGRAMS Chevrolet - Suburban

2000 Chevrolet Suburban C1500

2000 SYSTEM WIRING DIAGRAMS Chevrolet - Suburban

2000 Chevrolet Suburban C1500

2000 SYSTEM WIRING DIAGRAMS Chevrolet - Suburban

2000 Chevrolet Suburban C1500

2000 SYSTEM WIRING DIAGRAMS Chevrolet - Suburban

2000 Chevrolet Suburban C1500

2000 SYSTEM WIRING DIAGRAMS Chevrolet - Suburban

2000 Chevrolet Suburban C1500

2000 SYSTEM WIRING DIAGRAMS Chevrolet - Suburban

2000 Chevrolet Suburban C1500

2000 SYSTEM WIRING DIAGRAMS Chevrolet - Suburban

2000 Chevrolet Suburban C1500

2000 SYSTEM WIRING DIAGRAMS Chevrolet - Suburban

2000 Chevrolet Suburban C1500

2000 SYSTEM WIRING DIAGRAMS Chevrolet - Suburban

2000 Chevrolet Suburban C1500

2000 SYSTEM WIRING DIAGRAMS Chevrolet - Suburban

2000 Chevrolet Suburban C1500

2000 SYSTEM WIRING DIAGRAMS Chevrolet - Suburban

2000 Chevrolet Suburban C1500

2000 SYSTEM WIRING DIAGRAMS Chevrolet - Suburban

2000 Chevrolet Suburban C1500

2000 SYSTEM WIRING DIAGRAMS Chevrolet - Suburban

2000 Chevrolet Suburban C1500

2000 SYSTEM WIRING DIAGRAMS Chevrolet - Suburban

2000 Chevrolet Suburban C1500

2000 SYSTEM WIRING DIAGRAMS Chevrolet - Suburban

2000 Chevrolet Suburban C1500

2000 SYSTEM WIRING DIAGRAMS Chevrolet - Suburban

2000 Chevrolet Suburban C1500

2000 SYSTEM WIRING DIAGRAMS Chevrolet - Suburban

2000 Chevrolet Suburban C1500

2000 SYSTEM WIRING DIAGRAMS Chevrolet - Suburban

2000 Chevrolet Suburban C1500

2000 SYSTEM WIRING DIAGRAMS Chevrolet - Suburban

2000 Chevrolet Suburban C1500

2000 SYSTEM WIRING DIAGRAMS Chevrolet - Suburban

2000 Chevrolet Suburban C1500

2000 SYSTEM WIRING DIAGRAMS Chevrolet - Suburban

2000 Chevrolet Suburban C1500

2000 SYSTEM WIRING DIAGRAMS Chevrolet - Suburban

2000 Chevrolet Suburban C1500

2000 SYSTEM WIRING DIAGRAMS Chevrolet - Suburban

2000 Chevrolet Suburban C1500

2000 SYSTEM WIRING DIAGRAMS Chevrolet - Suburban

2000 Chevrolet Suburban C1500

2000 SYSTEM WIRING DIAGRAMS Chevrolet - Suburban

2000 Chevrolet Suburban C1500

2000 SYSTEM WIRING DIAGRAMS Chevrolet - Suburban

2000 Chevrolet Suburban C1500

2000 SYSTEM WIRING DIAGRAMS Chevrolet - Suburban

2000 Chevrolet Suburban C1500

2000 SYSTEM WIRING DIAGRAMS Chevrolet - Suburban

2000 Chevrolet Suburban C1500

2000 SYSTEM WIRING DIAGRAMS Chevrolet - Suburban

2000 Chevrolet Suburban C1500

2000 SYSTEM WIRING DIAGRAMS Chevrolet - Suburban

2000 Chevrolet Suburban C1500

2000 SYSTEM WIRING DIAGRAMS Chevrolet - Suburban

2000 Chevrolet Suburban C1500

2000 SYSTEM WIRING DIAGRAMS Chevrolet - Suburban

2000 Chevrolet Suburban C1500

2000 SYSTEM WIRING DIAGRAMS Chevrolet - Suburban

2000 Chevrolet Suburban C1500

2000 SYSTEM WIRING DIAGRAMS Chevrolet - Suburban

